

# thePixa P360 24V KNX UP WH

Item no.: 2269210

theben

## Presence and motion detectors Indoor detectors

### Description

---

- Optical sensor for ceiling installation
- KNX Data Secure
- Rectangular detection area with up to 6 flexible detection zones (Total area 11.0 x 15.5 m 171 m<sup>2</sup>; at 4.5 m installation height)
- Restriction of the detection area via app (thePixa Plug)
- Automatic presence and brightness-dependent control for lighting and HVAC
- Each detection zone has its own light measurement
- Adjustment of brightness measurements via thePixa Plug app
- Configurable sensitivity of sensor
- Distinction between motion and presence
- Parallel switching of multiple sensors (Master/Slave or Master/Master)
- Test mode for checking function and detection area via app (thePixa Plug)
- Output of occupancy rate and occupancy density via telegram
- Integrated temperature sensor
- Ceiling installation in flush-mounting box (2-point fixing)
- Surface mounting on ceilings possible with surface frame (option)
- thePixa Plug app for settings and evaluations (iOS/Android)
- KNX firmware update possible (ETS app)
- Sensor firmware update possible (thePixa Plug app)
- 6 channels light, Z1 light – Z6 light:
  - Switching or constant lighting control with 6 independent control systems and standby function (orientation light)
  - Switching mode with dimmable lighting
  - Free switch object with configuration type switching
  - Fully or semi-automatic device
  - Brightness switching value configurable in lux by using parameters
  - Brightness switching value configurable in lux by using parameters and telegram
  - Light time delay configurable by using parameters
  - Aura effect for better orientation and greater safety
  - Manual override by telegram
- 6 channels HKL, Z1 HKL – Z6 HKL:
  - Configurable switch-on delay and time delay
  - Sending of operating mode
  - Separate block telegram
- 6 channels room occupancy, Z1 room occupancy – Z6 room occupancy:
  - Output of number of persons
  - Control of a fan with up to 3 stages
  - 3 configurable thresholds (threshold switch)



Subject to technical changes and misprints

additional information at: [www.theben.de/product/2269210](http://www.theben.de/product/2269210)

The load data are determined with exemplary selected illuminants and are therefore typical data due to the large number of available products.

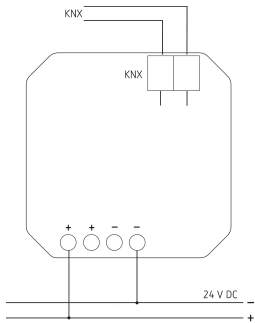
# thePixa P360 24V KNX UP WH

Item no.: 2269210

## Technical data

thePixa P360 24V KNX UP WH		thePixa P360 24V KNX UP WH	
Operating voltage	24 V DC	Light measurement	Mixed light measurement
Stand-by consumption	≤67 mA	Switch-on delay presence	0 s – 120 min / inactive
Installation height	2.5 – 4.5 m	Ambient temperature	-5°C ... 45°C
Minimum height	≥ 2,5 m	Colour	White
Measuring range brightness	5 – 3000 lx	Setting range temperature	-15°C ... 60°C
Type of connection	KNX bus terminal	Type of protection	IP 20
Installation type	Flush-mounted		
Light switch-off delay	0 s – 60 min		

## Connection example



## Detection range for planning applications at a temperature of 21 °C

Mounting height (A)	Walking (T)	Sitting (S)
2.5 m	54 m <sup>2</sup>   6 m x 9 m	22 m <sup>2</sup>   4 m x 5.5 m
3 m	79 m <sup>2</sup>   7.5 m x 10.5 m	35 m <sup>2</sup>   5 m x 7 m
3.5 m	102 m <sup>2</sup>   8.5 m x 12 m	51 m <sup>2</sup>   6 m x 8.5 m
4 m	128 m <sup>2</sup>   9.5 m x 13.5 m	79 m <sup>2</sup>   7.5 m x 10.5 m
4.5 m	171 m <sup>2</sup>   11 m x 15.5 m	102 m <sup>2</sup>   8.5 m x 12 m

Subject to technical changes and misprints

additional information at: [www.theben.de/product/2269210](http://www.theben.de/product/2269210)

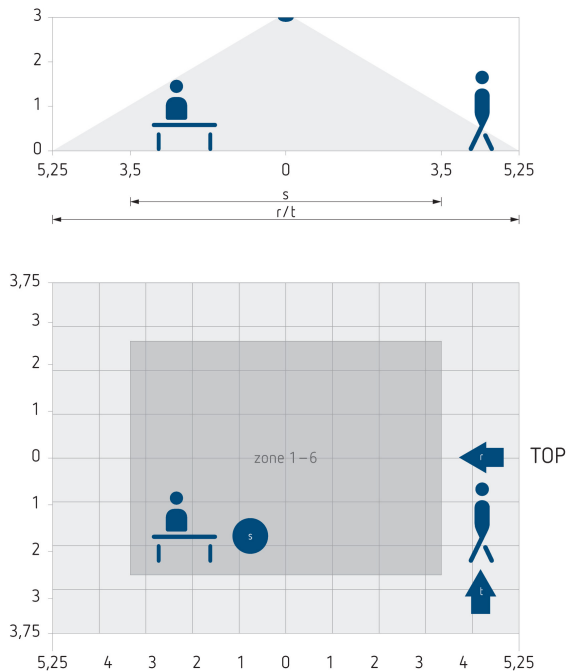
The load data are determined with exemplary selected illuminants and are therefore typical data due to the large number of available products.

# thePixa P360 24V KNX UP WH

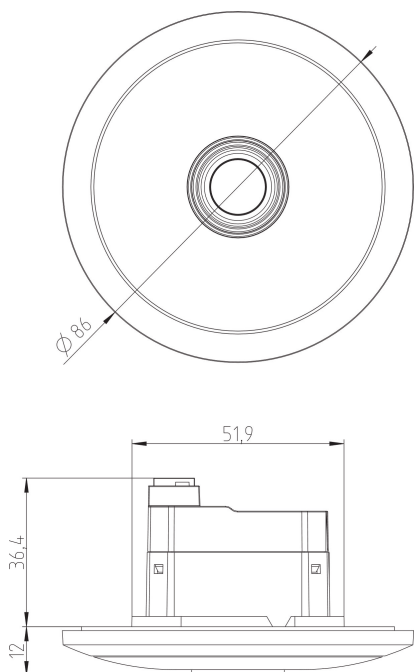
Item no.: 2269210



## Detection range for planning applications at a temperature of 21 °C



## Scale drawings



Subject to technical changes and misprints

additional information at: [www.theben.de/product/2269210](http://www.theben.de/product/2269210)

The load data are determined with exemplary selected illuminants and are therefore typical data due to the large number of available products.

# thePixa P360 24V KNX UP WH

Item no.: 2269210

**theben**

## Accessories

---

Power unit 24 V DC

Item no.: 9079330



Ceiling installation box 68A

Item no.: 9070992



Surface frame thePixa WH

Item no.: 9070816



Surface frame thePixa WH

Item no.: 9070443



Subject to technical changes and misprints

additional information at: [www.theben.de/product/2269210](http://www.theben.de/product/2269210)

The load data are determined with exemplary selected illuminants and are therefore typical data due to the large number of available products.

27/01/2023

Page 4 of 4